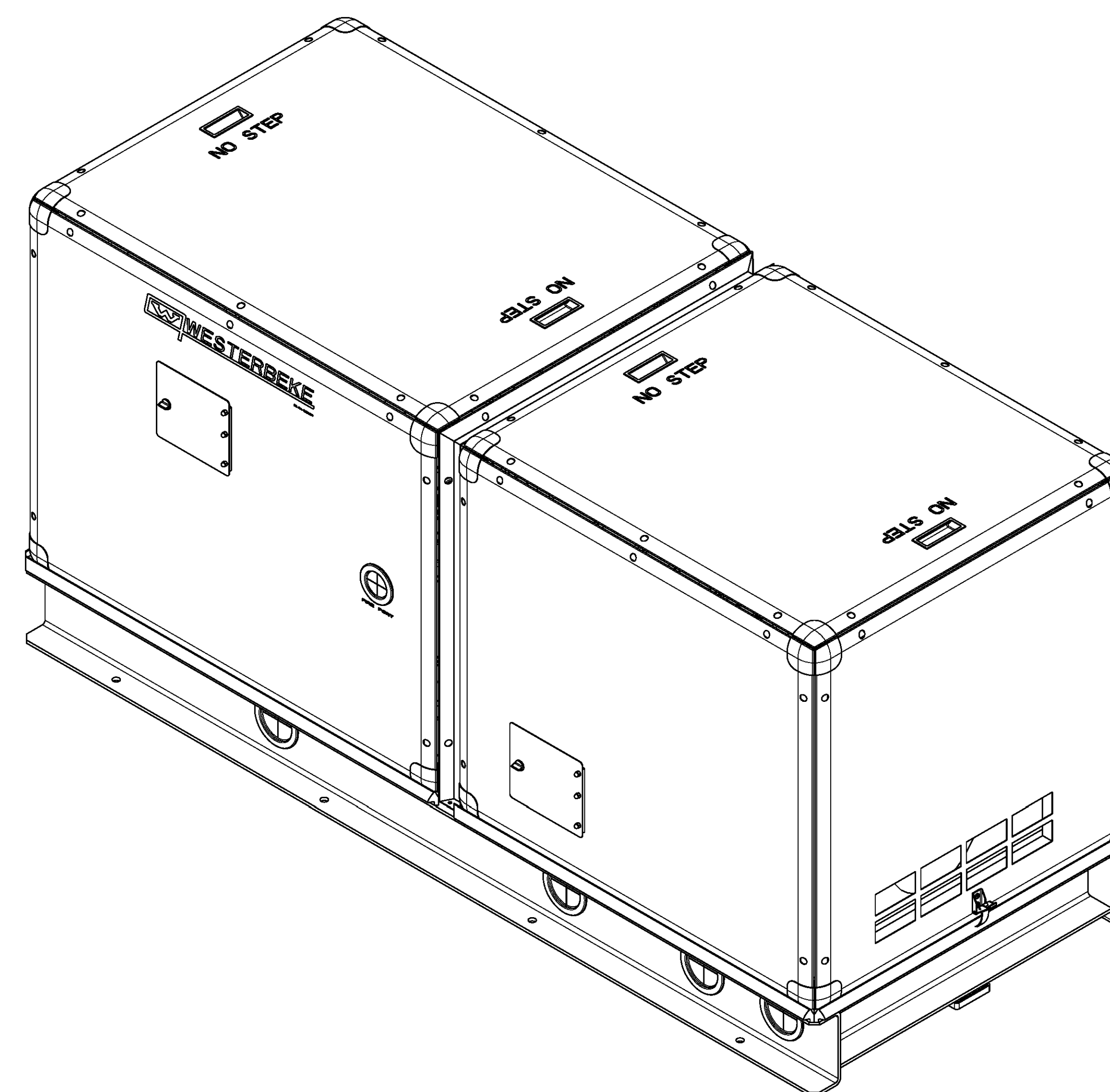
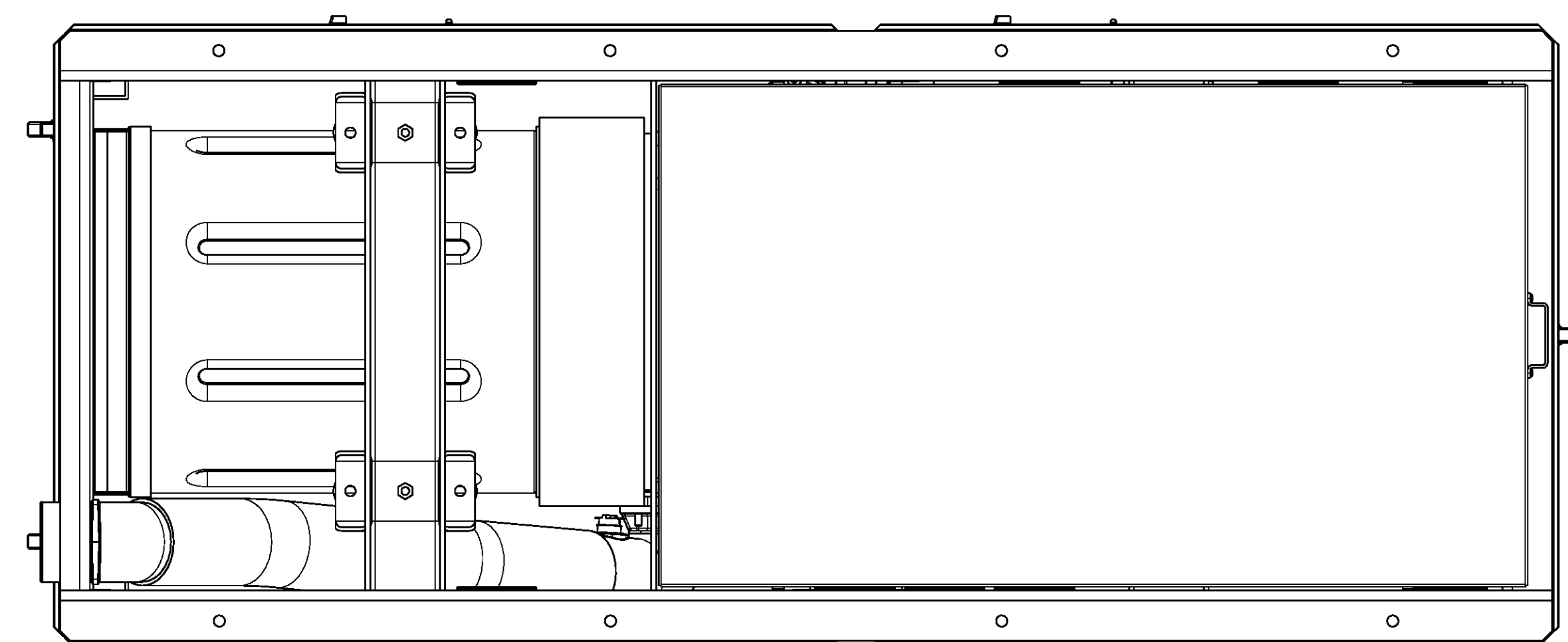
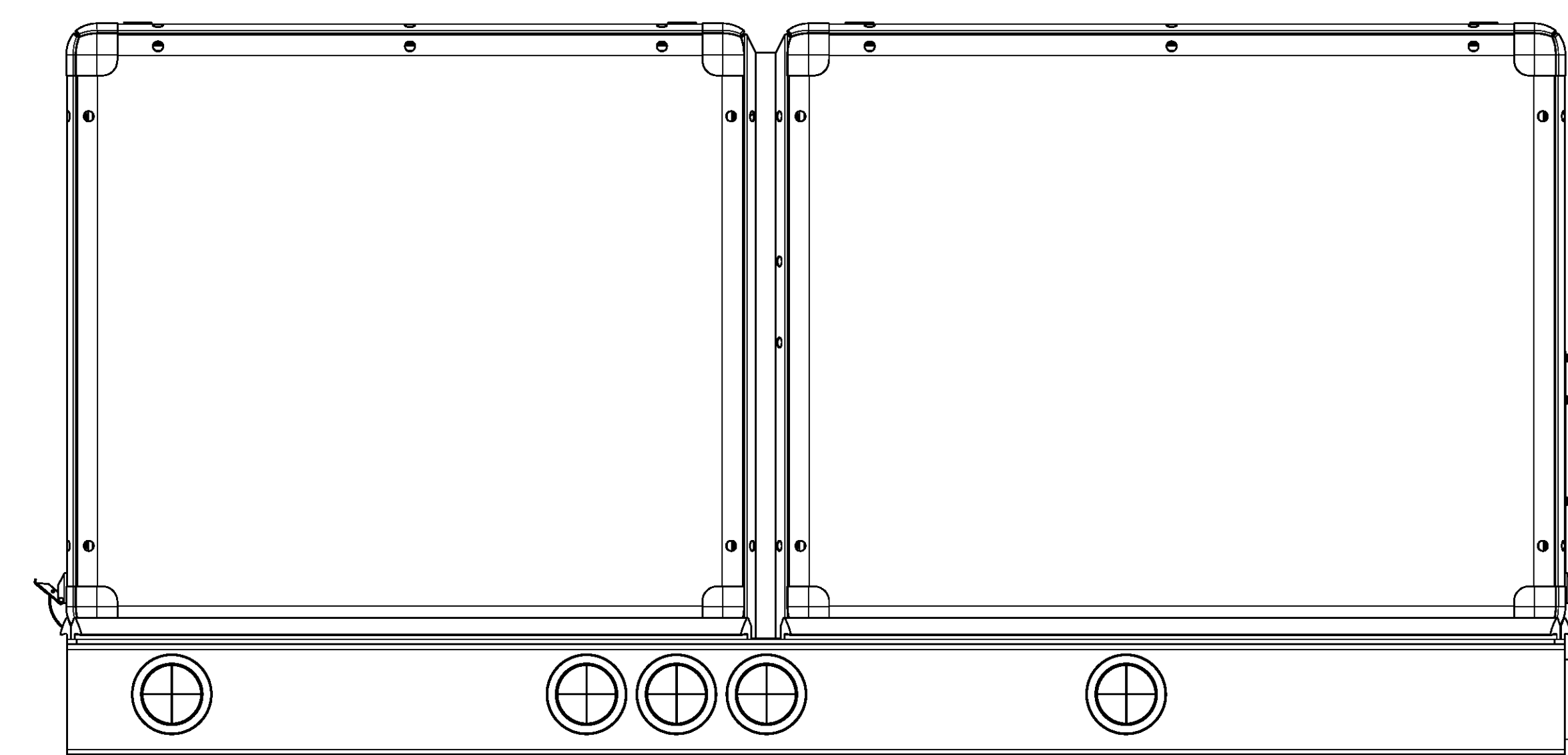
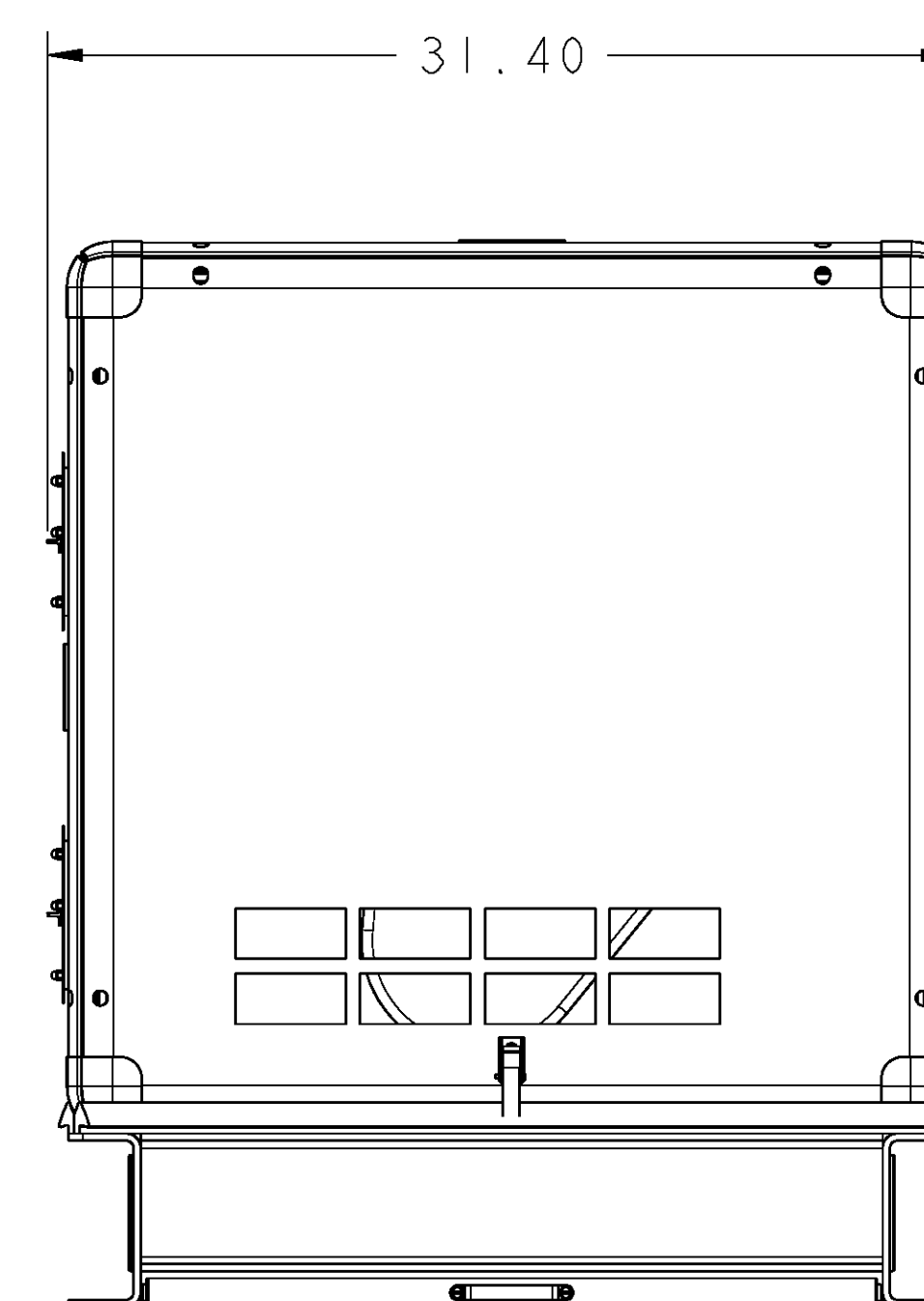
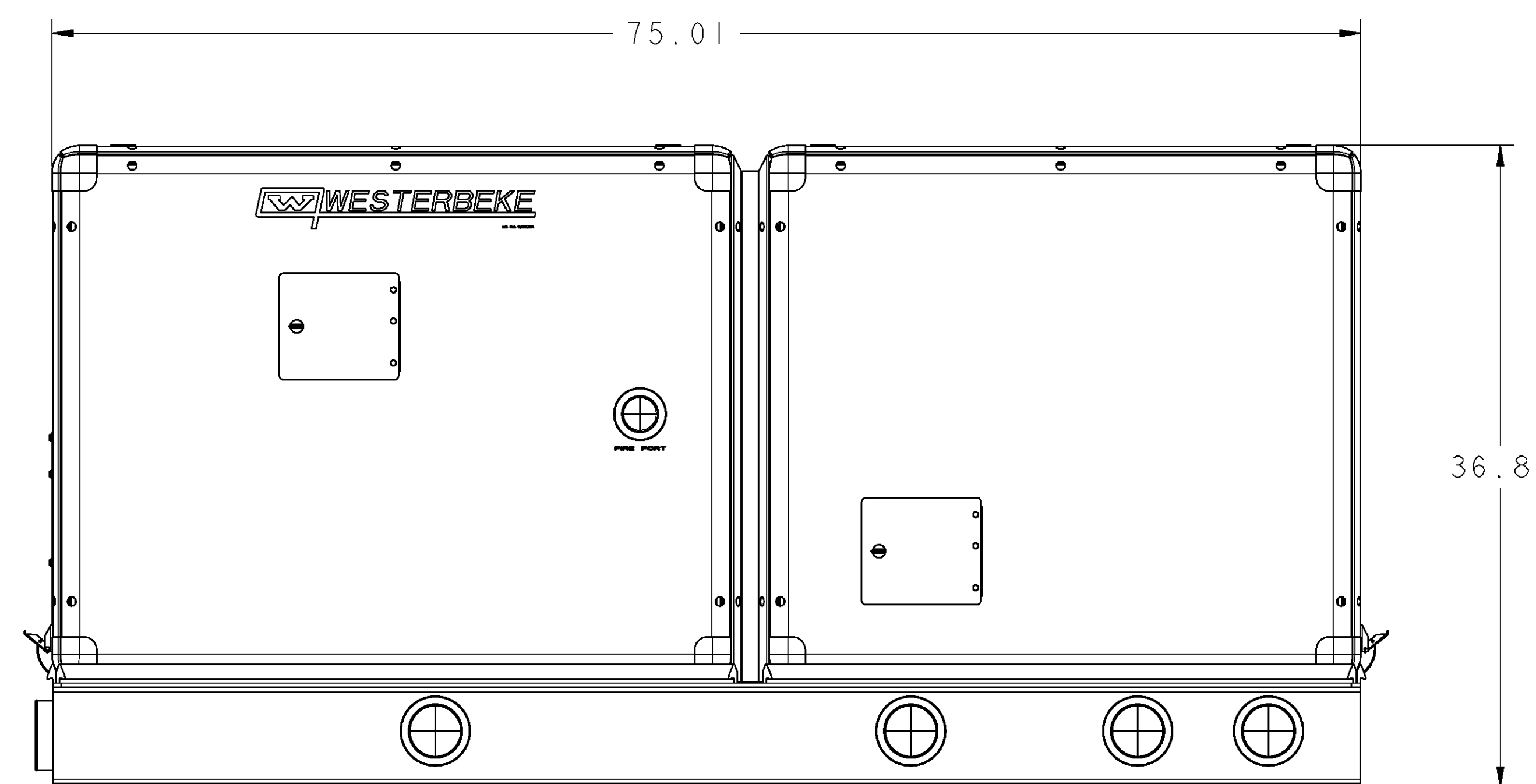
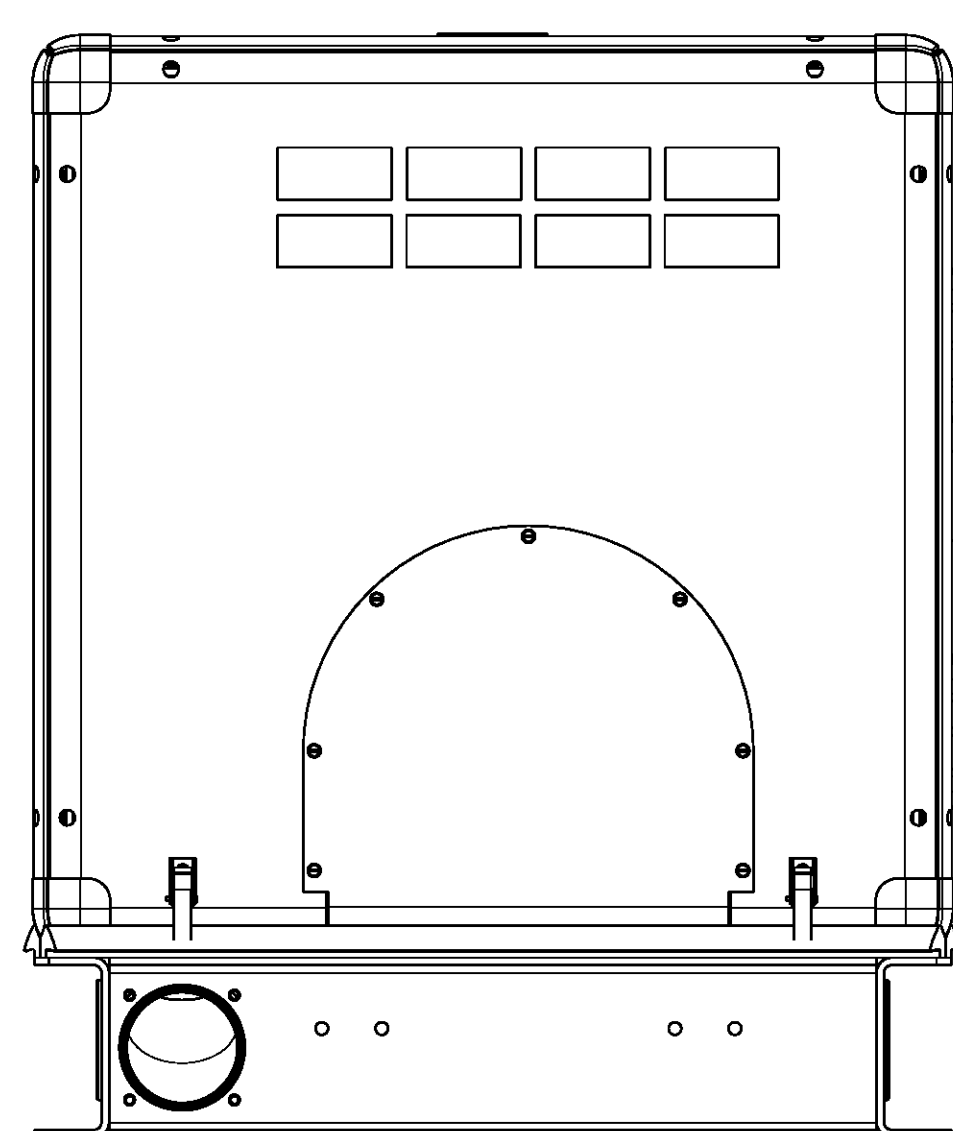
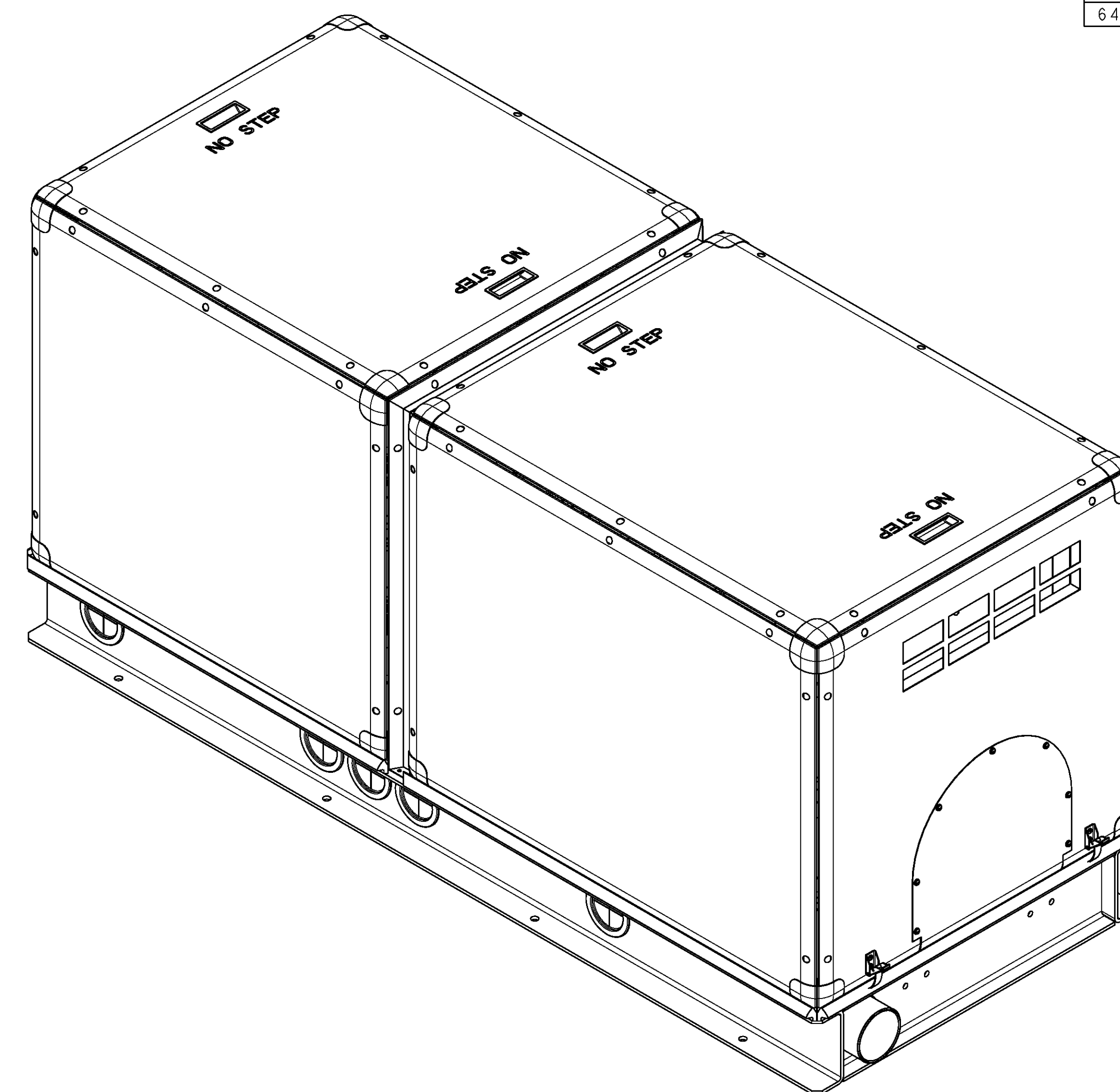
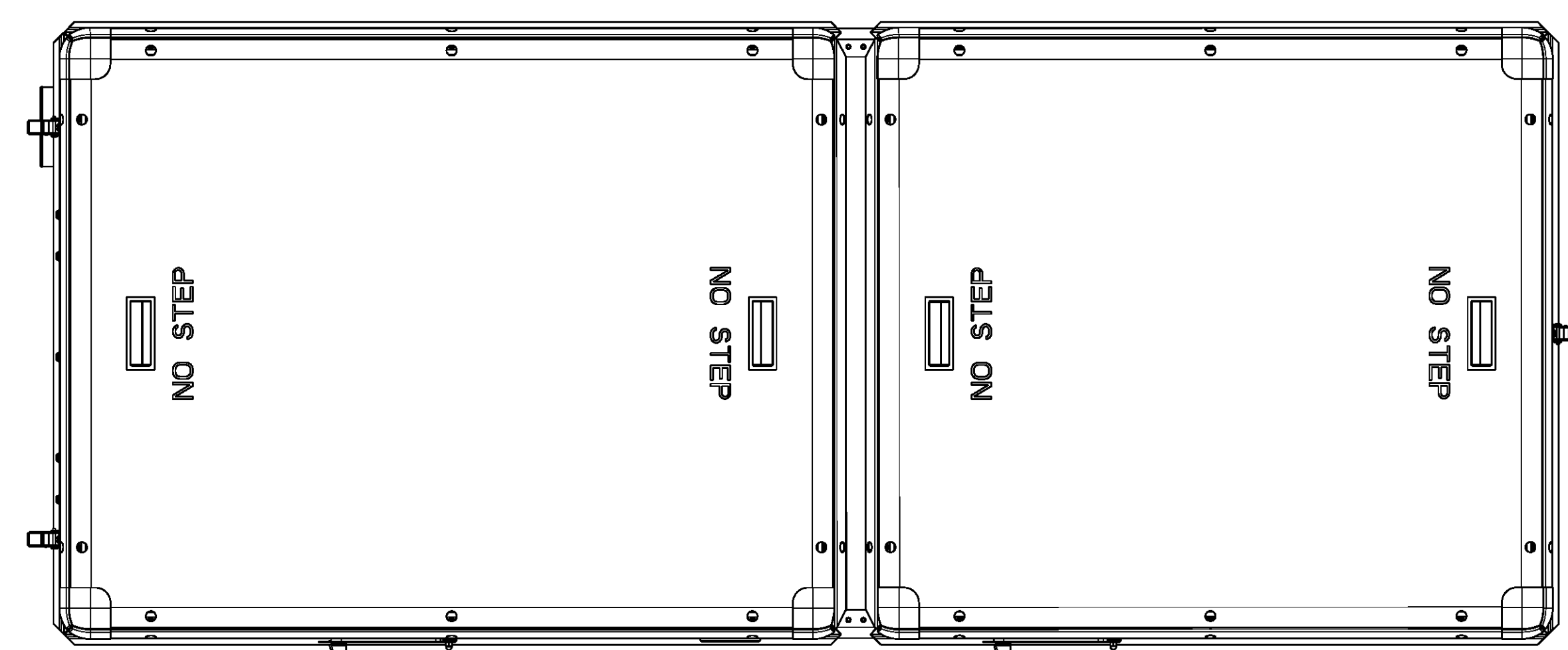


ECO NO.	DATE	REV.	REVISION RECORD	AUTH.	DR. BY
5535	2002	A	RAIL SUPPORT WAS 6 PIECES.		GA
5780	2004	B	RAIL SUPPORT WAS 2 PIECES.		GA
6495	2008	C	ADD M5 CAPSCREWS AND LOCKWASHER.		GA



TOLERANCES (UNLESS OTHERWISE NOTED)		WESTERBEKE CORPORATION TAUNTON, MA. 02780	
INCHES	MILLIMETERS	TITLE	
.XX ± .02	X ± 1.0	SOUND GUARD, ASSEMBLY	
.XXX ± .005	X ± .3	65.0 & 95.0 BED	
CAST ± .03	XX ± .13		
ANGLES: °			
FINISH: ✓			
DIMENSIONS	APPROVED BY	DATE	MATERIAL
INCHES	ANDREW KOSS	01/Jul/02	SEE BOM
MILLIMETERS			
(WHEN APPLICABLE)	SCALE 0.156	SIZE	DRAWING NUMBER
	Sht. 1 of 1	E	47950
			REV. C