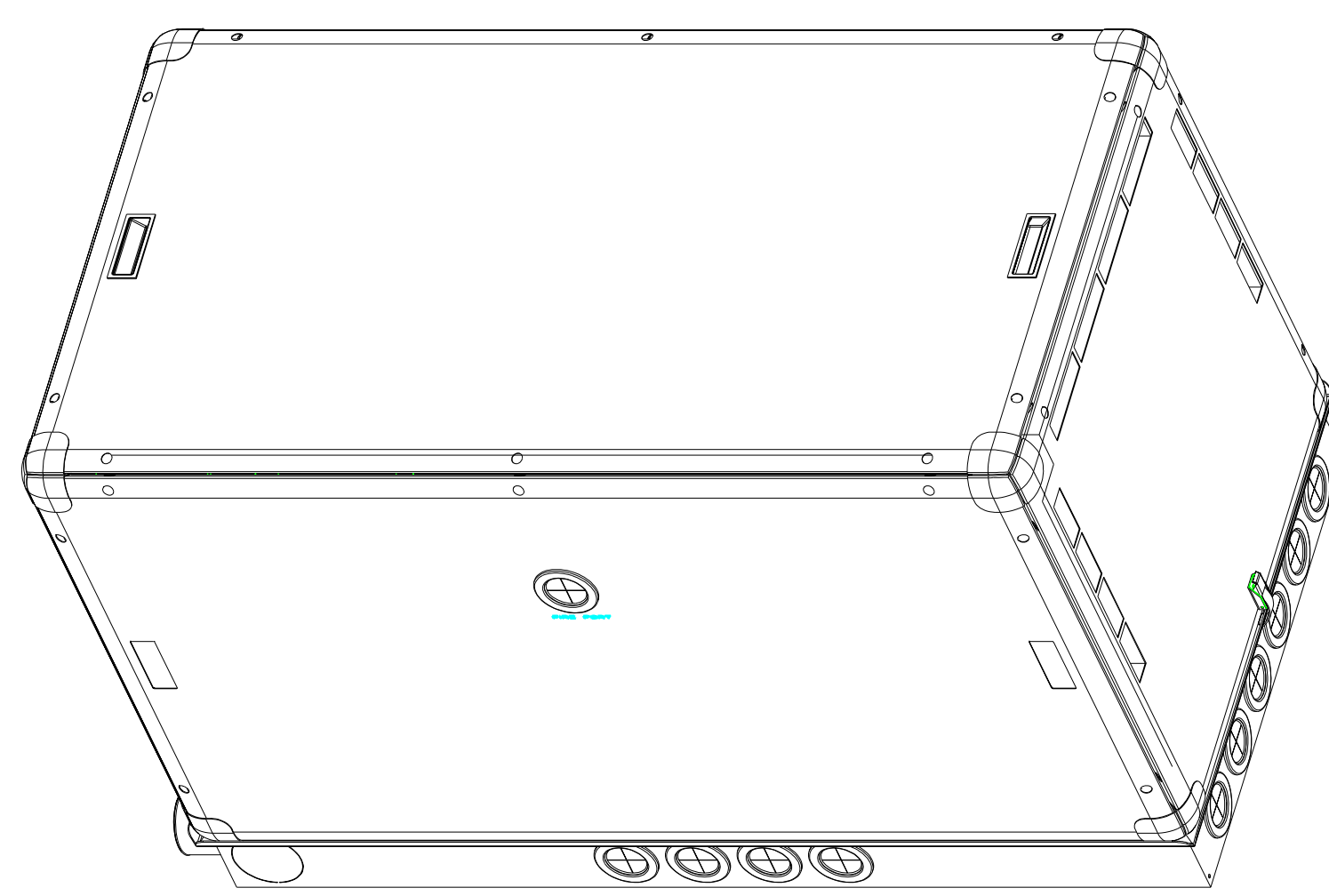
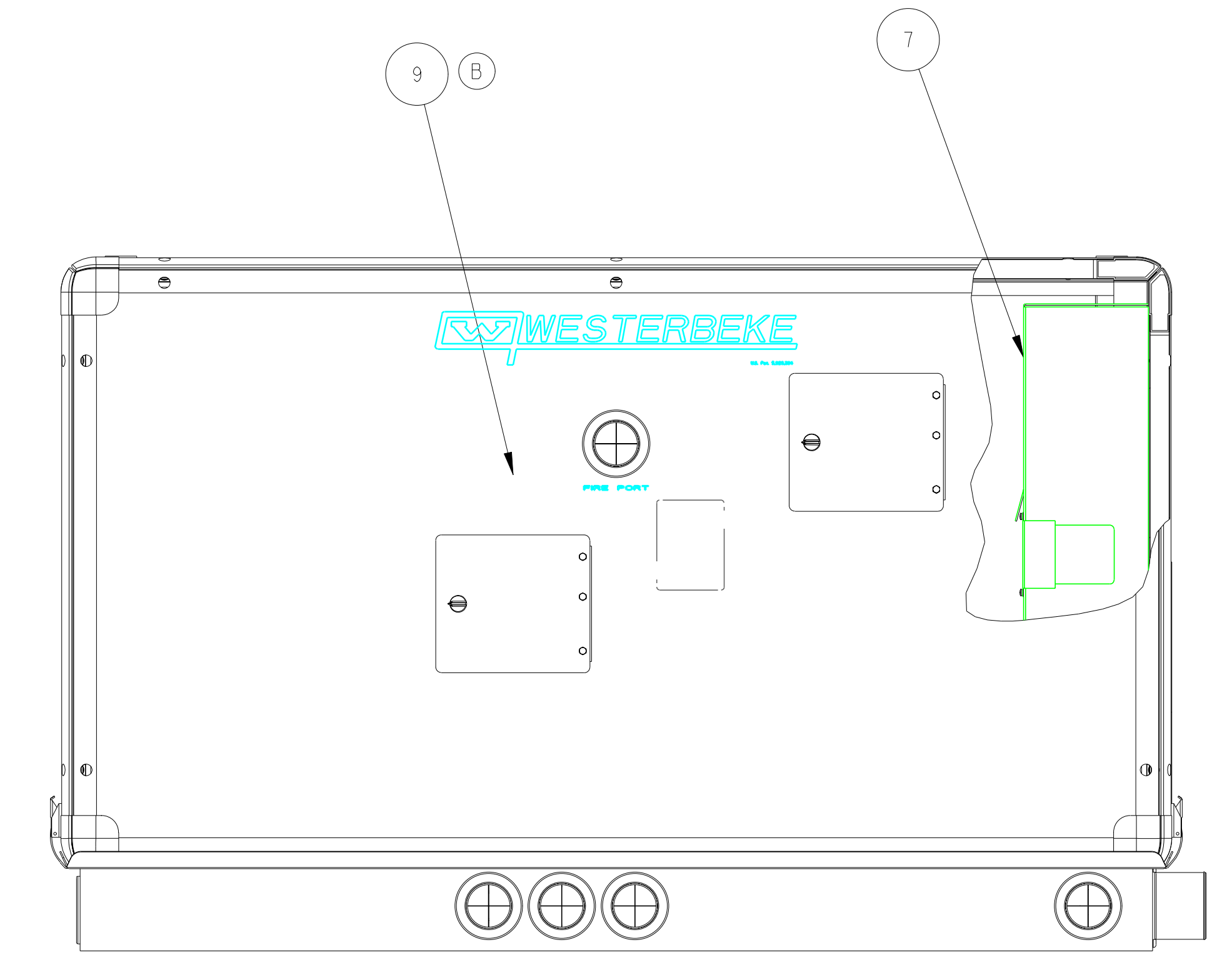
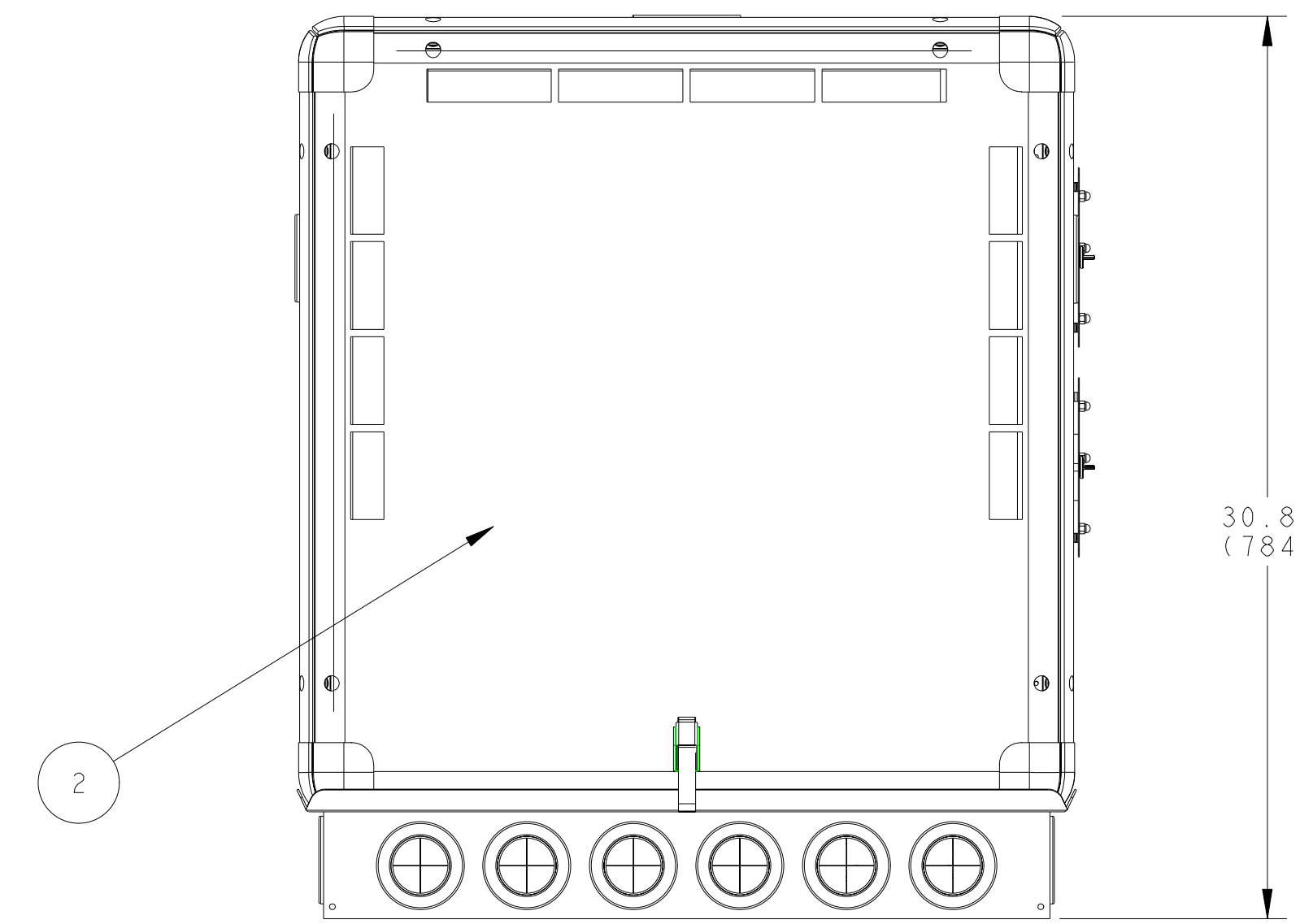
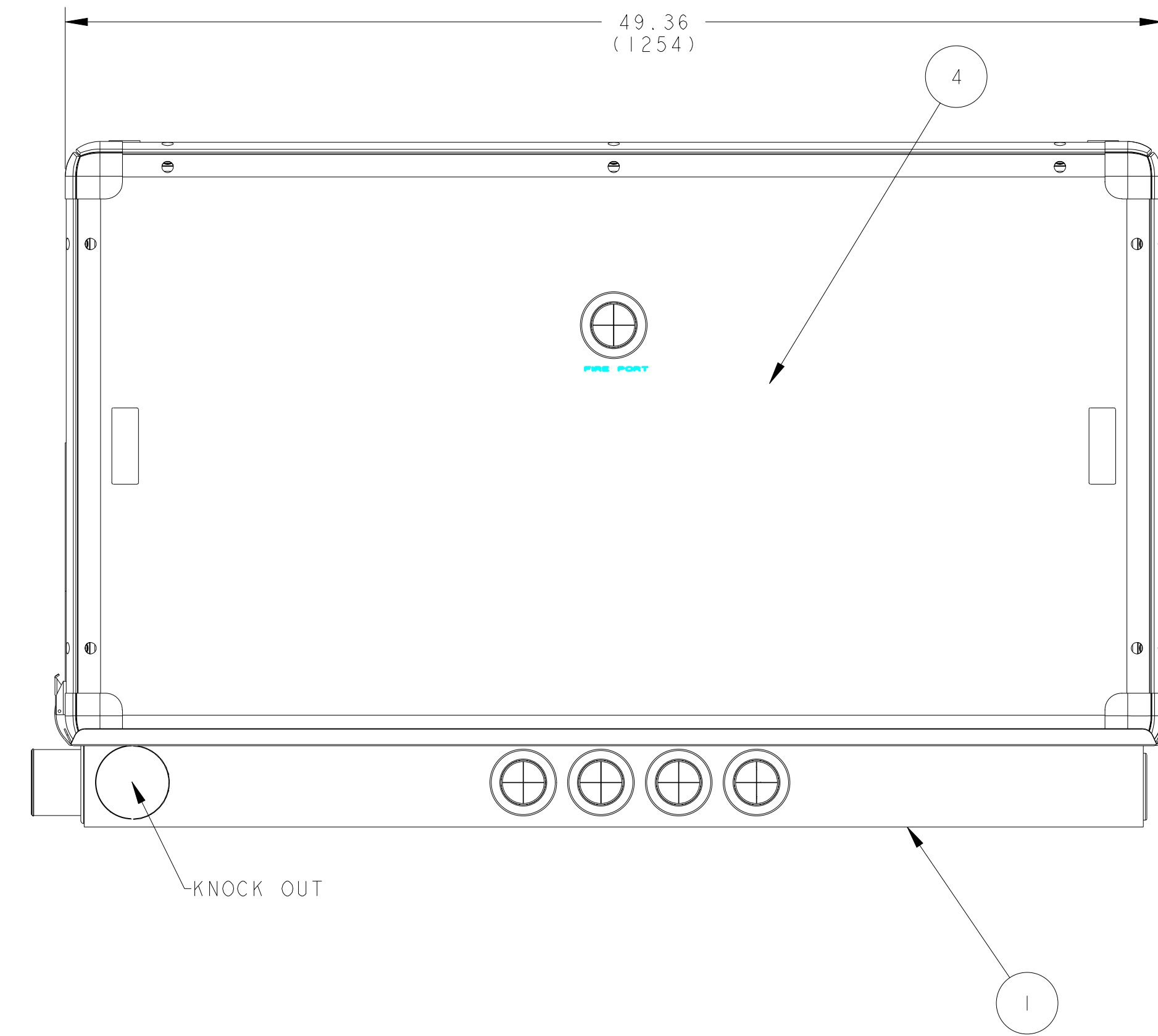
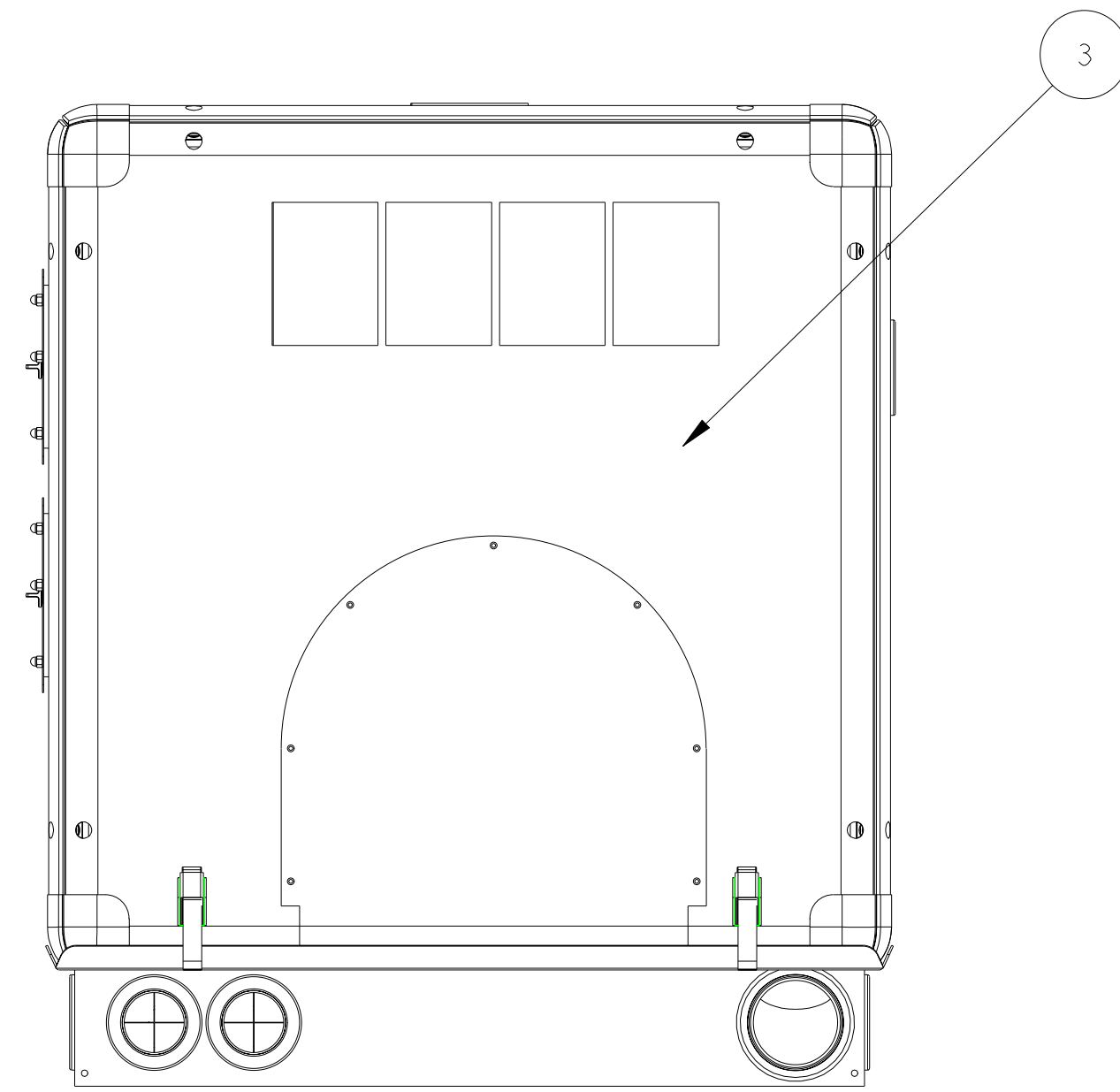
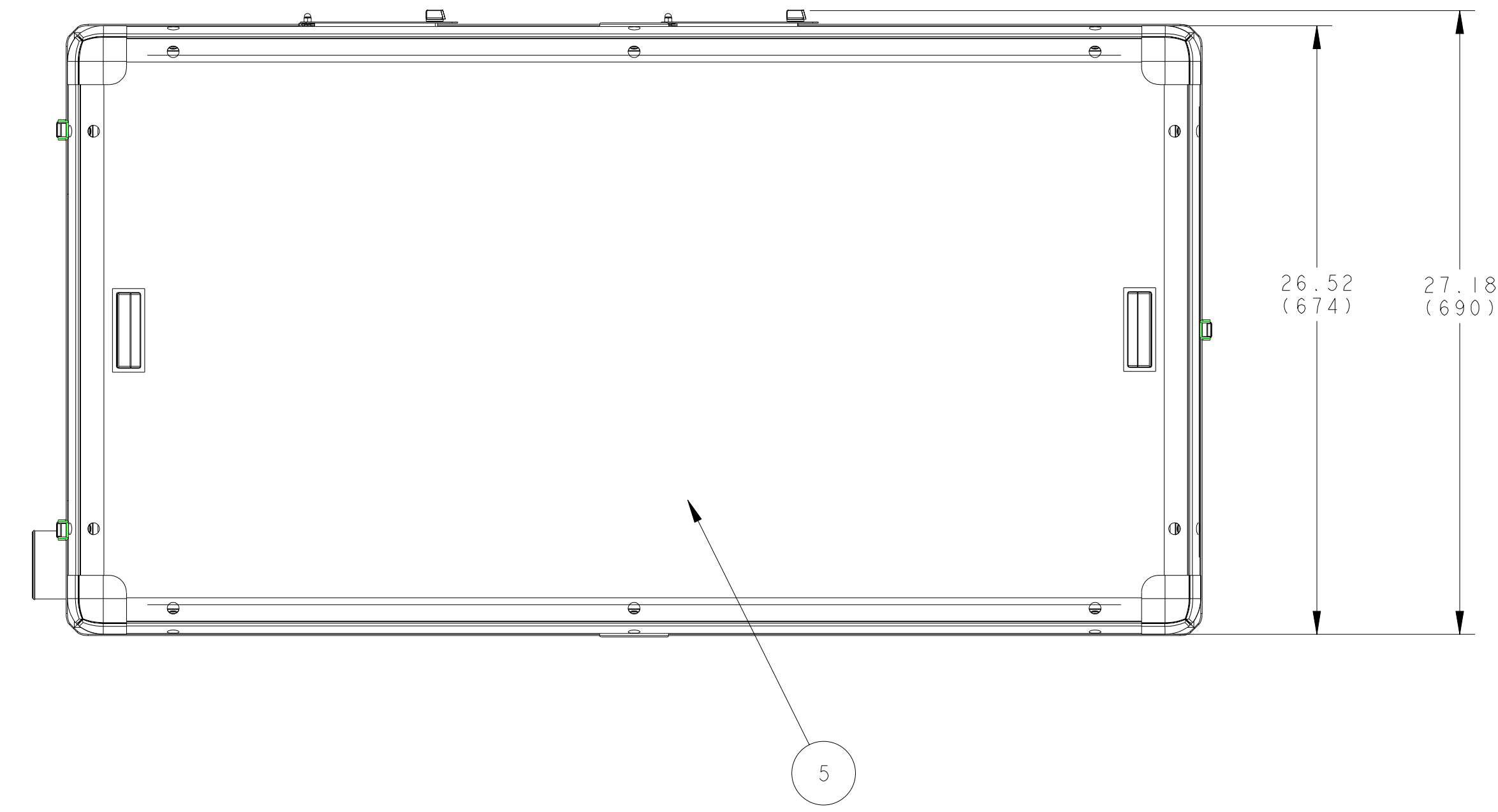
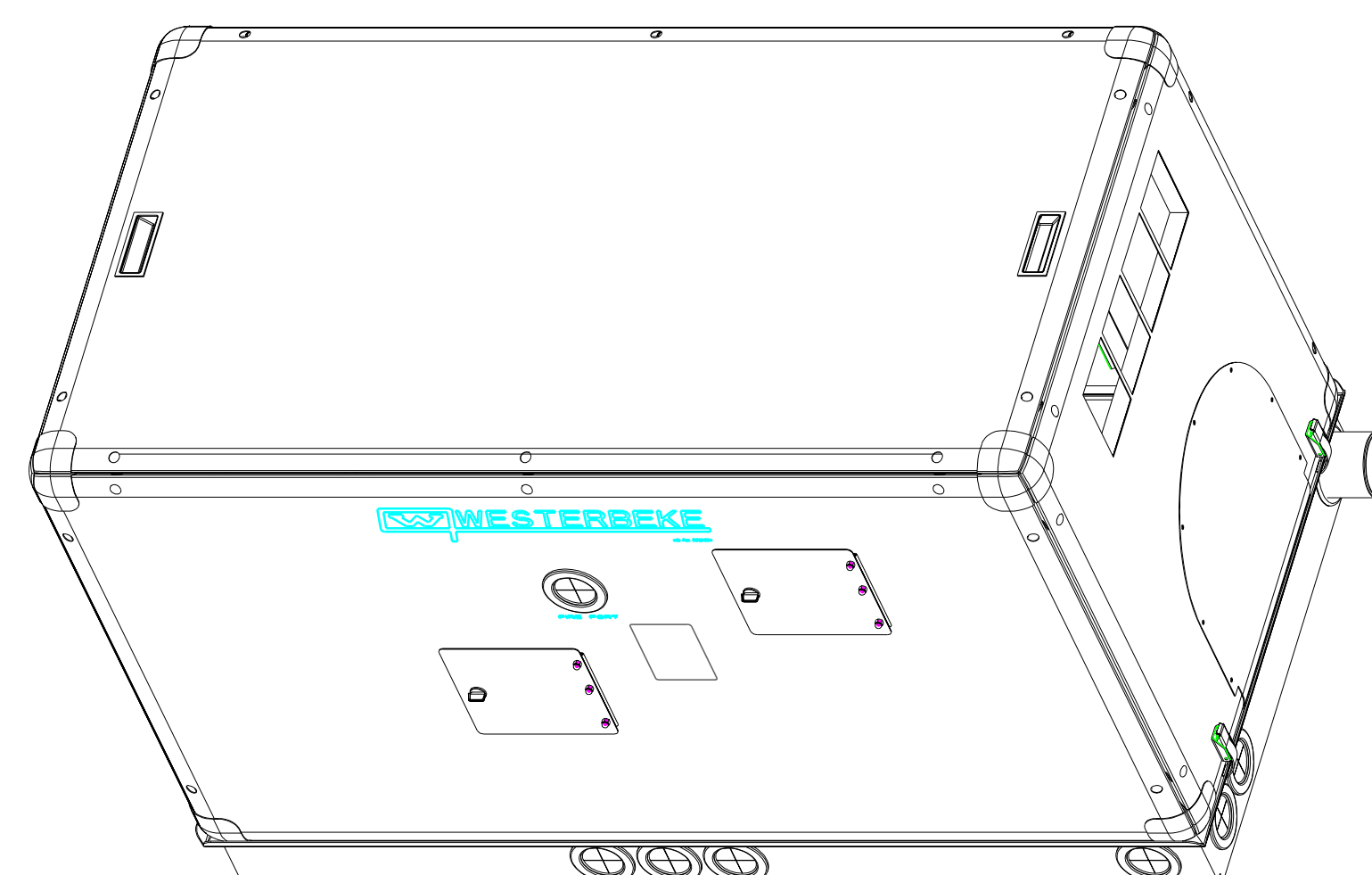


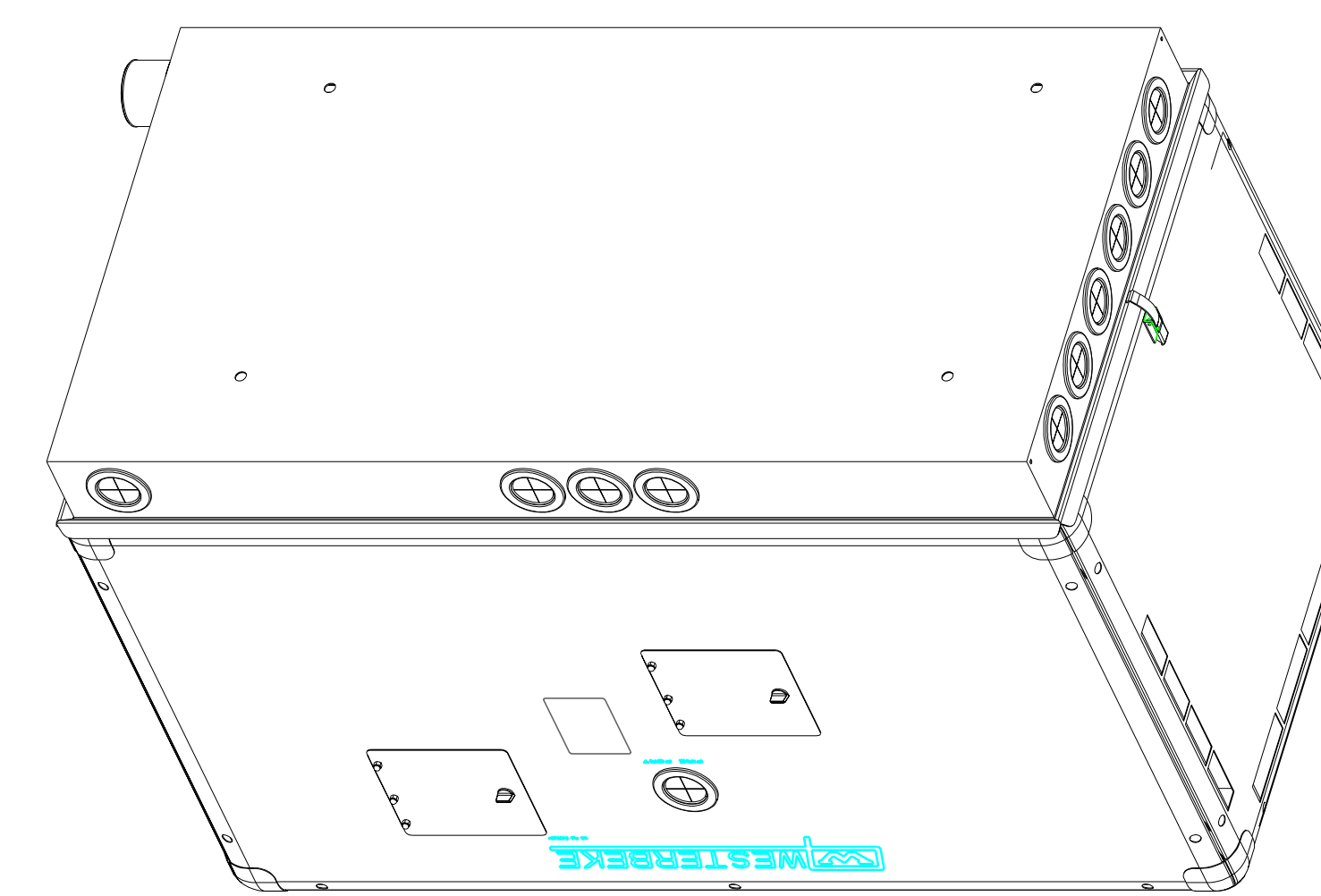
ECO NO.	DATE	REV.	REVISION RECORD	AUTH.	DR. BY
4548	1/12/01	A	REMOVE QTY: 1 # 44273 ADD QTY: 1 # 44535	JH	
5288	5-13/02	B	QTY OF #43539 WAS 2, NOW 1; ADDED #47741; #43541 WAS "NOT SHOWN", NOW SHOWN.	WRM	



SCALE 0.130



SCALE 0.130



SCALE 0.130

SPACES LEFT OPEN ARE TO BE FILLED WITH 1" BUBBLE WRAP

* ITEM'S NOT SHOWN

ITEM	PART No.	QTY.	DESCRIPTION
9	47741	1	PANEL, SOUND GUARD - SERVICE SIDE
A	8	44535	FORM, INSTALL SG DIESEL 20-32
B	7	43541	AIR DAM
*	6	44429	CARTON, MASTER
	5	43540	PANEL, SOUND GUARD - TOP
B	4	43539	PANEL, SOUND GUARD - SIDE
	3	43538	PANEL, SOUND GUARD - REAR
	2	43537	PANEL, SOUND GUARD - FRONT
	1	43536	BASE, SOUND GUARD

TOLERANCES (UNLESS OTHERWISE NOTED)		WESTERBEKE CORPORATION AVON MA. 02322	
INCHES	MILLIMETERS	TITLE	
XX : .005	X : .005	SOUND GUARD ASSEMBLY	
XX : .005	XX : .005	20 BEDA, 25 BED, 32 BEDA	
ANGLES : .2		DATE	20/OCT/08
FINISH		APPROVED BY	SEE BOM
		SCALE	.188
		SIZE	E
		DRAWING NUMBER	43535
		REV.	B